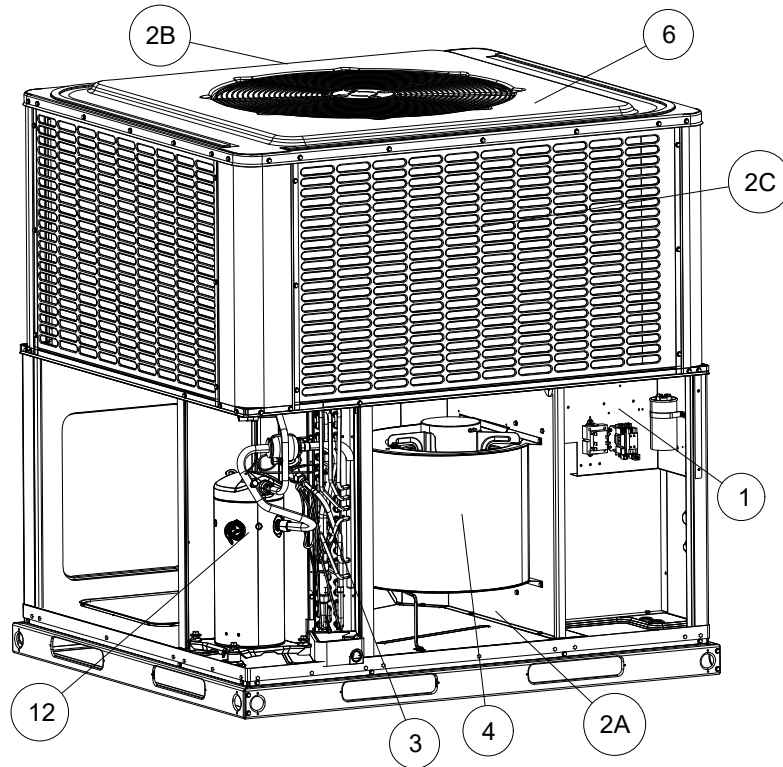


PCE4 SERIES - 14 SEER 3-PHASE 460V SINGLE PACKAGED A/C ELECTRIC, R-410A

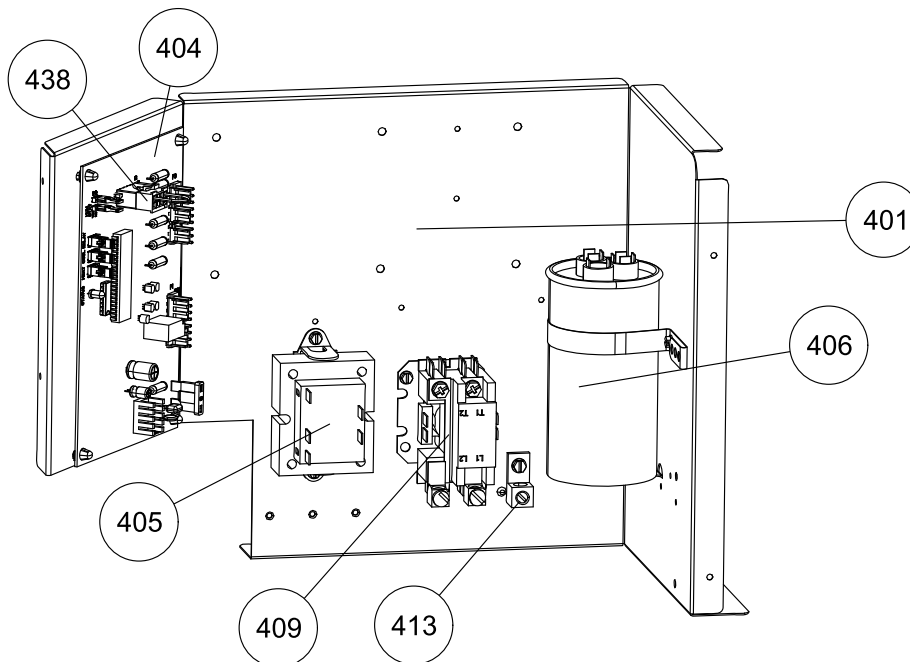
REPAIR PARTS LIST

PRINTED DATE: 1/29/2025

The information provided to you may include Johnson Controls' trade secrets, intellectual property, and confidential business information (including its Bill of Materials), and this information is to be kept in the strictest confidence and not to be disclosed to any third party without the prior written consent of Johnson Controls.



Section	Description
1	ELECTRICAL BOX / CONTROLS
2	SHEET METAL / CABINET PARTS
2A	SHEET METAL / INTERIOR PANELS
2B	SHEET METAL / CABINET PARTS- BACK
2C	SHEET METAL / CABINET PARTS- FRONT
3	REFRIGERATION SYSTEM
4	INDOOR BLOWER PARTS
6	ROOF ASSEM / OUTDOOR FAN AND MOTOR PARTS
8	MISCELLANEOUS
9	WIRING DIAGRAM / VFD PARAMETER
10	HARNESSES
12	COMPRESSOR



Section : ELECTRICAL BOX / CONTROLS

Section	Callout	Replacement Part #	Description	Original Part #	PCE4A36 41	PCE4A36 42	PCE4A36 43	PCE4A36 44	PCE4B48 41
1	NS	S1-02547291000	HARNESS,MAIN WIRING,PCE,COPELAND	S1-02547291000	1	1	1	1	1
1	401	S1-07339417001	PANEL,CONTROL,ELECTRIC	S1-07339417001	1	1	1		1
1	405	S1-02525974700	TRNSF,460V,24V/75VA,50/60HZ	S1-02525974700	1	1	1	1	1
1	406	S1-02420062700	CAP,RUN SINGLE,5MFD,440V,FLAT	S1-02420062700	1	1	1		
1	406	S1-02420063700	CAP,RUN SINGLE,7.5MFD,440,FLAT	S1-02435813000				1	1
1	409	S1-5882872	CNTCTR,3P,30A,24V,50/60HZ	S1-02435803000	1	1	1		1
1	413	S1-02521798000	LUG,GROUND,ELECTRICAL ALUMINUM 1.06 X .5	S1-02521798000	1	1	1	1	1

Section	Callout	Replacement Part #	Description	Original Part #	PCE4B48 42	PCE4B48 44	PCE4B60 41	PCE4B60 42	PCE4B60 44
1	NS	S1-02547291000	HARNESS,MAIN WIRING,PCE,COPELAND	S1-02547291000	1	1	1	1	1
1	401	S1-07339417001	PANEL,CONTROL,ELECTRIC	S1-07339417001	1		1	1	
1	405	S1-02525974700	TRNSF,460V,24V/75VA,50/60HZ	S1-02525974700	1	1	1	1	1
1	406	S1-02420063700	CAP,RUN SINGLE,7.5MFD,440,FLAT	S1-02435813000	1	1	1	1	1
1	409	S1-5882872	CNTCTR,3P,30A,24V,50/60HZ	S1-02435803000	1		1	1	

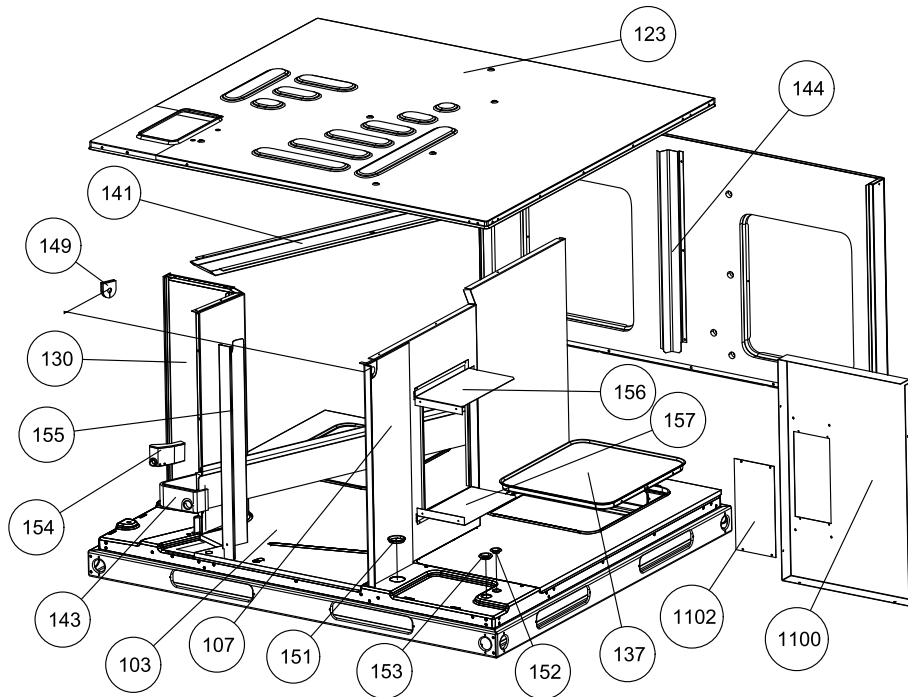
1	413	S1-02521798000	LUG,GROUND,ELECTRICAL ALUMINUM 1.06 X .5	S1- 02521798 000	1	1	1	1	1
---	-----	----------------	---	------------------------	---	---	---	---	---

Suggested stocking items are shown with shaded item number.

Section	Callout	Replacement Part #	Description	Original Part #	PCE4A36 41	PCE4A36 42	PCE4A36 43	PCE4A36 44	PCE4B48 41
---------	---------	--------------------	-------------	-----------------	---------------	---------------	---------------	---------------	---------------

Section	Callout	Replacement Part #	Description	Original Part #	PCE4B48 42	PCE4B48 44	PCE4B60 41	PCE4B60 42	PCE4B60 44
---------	---------	--------------------	-------------	-----------------	---------------	---------------	---------------	---------------	---------------

Suggested stocking items are shown with shaded item number.



Section : SHEET METAL / INTERIOR PANELS

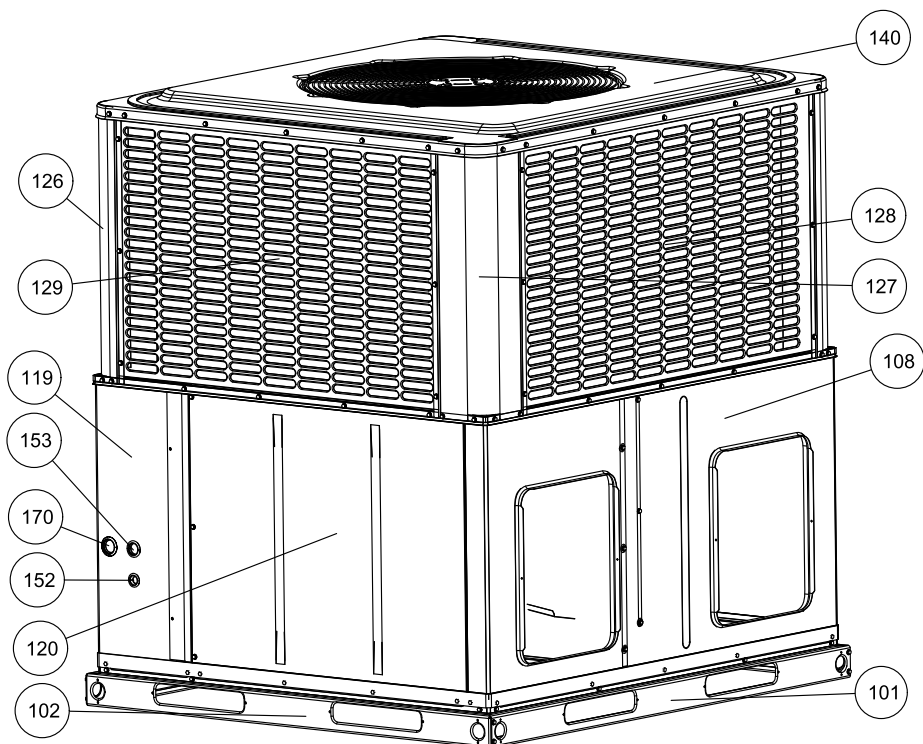
Section	Callout	Replacement Part #	Description	Original Part #	PCE4A36 41	PCE4A36 42	PCE4A36 43	PCE4A36 44	PCE4B48 41
2A	NS	S1-02647812000	FILTER,AIR,CLEANABLE,ALUM, 10 X 20 X 1	S1-02647812000	2	2	2	2	3
2A	NS	S1-1FF0601	KIT,FILTER FRAME,SFP	S1-1FF0601	1	1	1	1	
2A	NS	S1-1FF0602	KIT,FILTER FRAME,LFP	S1-1FF0602					1
2A	103	S1-37327988001	BASE PAN ASSEM,LARGE	S1-37327988001					1
2A	103	S1-37327988002	BASE PAN ASSEM,SMALL	S1-37327988002	1	1	1	1	
2A	107	S1-07339499001	PANEL,BLOWER DECK,SMALL 10 GAS	S1-07339499001	1	1	1		
2A	107	S1-07339499003	PANEL,BLOWER DECK,LARGE 10 GAS	S1-07339499003					1
2A	107	S1-37347187001	DECK,BLOWER,SM 10,RESPAK	S1-37347187001				1	
2A	123	S1-37327993001	PANEL ASSEM,MID,SMALL	S1-37327993001	1	1	1		
2A	123	S1-37327993002	PANEL ASSEM,MID,LARGE	S1-37327993002					1
2A	123	S1-37347176001	PNL,ASSEM,MID PAN,SM,RESPAK	S1-37347176001				1	
2A	130	S1-37339446001	PANEL ASSEMBLY,COMPRESSOR BARRIER	S1-37339446001	1	1	1		1
2A	130	S1-37347178001	PNL,ASSEM,COMPRESSOR BARRIER,RESPAK	S1-37347178001				1	
2A	137	S1-37327995001	PANEL ASSEM,DUCT COVER,10X16	S1-37327995001	2	2	2	2	

2A	137	S1-37327995002	PANEL ASSEM,DUCT COVER,14X16	S1-37327995002						2
2A	141	S1-07339388001	PANEL,COIL BLOCKOFF,LARGE	S1-07339388001						1
2A	141	S1-07339388002	PANEL,COIL BLOCKOFF,SMALL	S1-07339388002	1	1	1	1		
2A	143	S1-37339497001	DRAIN PAN ASSEM,RES PAK,SM	S1-37339497001	1	1	1	1		
2A	143	S1-37339497002	DRAIN PAN ASSEM,RES PAK,LG	S1-37339497002						1
2A	144	S1-07339386003	BLOCK-OFF,COIL,REAR	S1-07339386003	1	1	1			1
2A	144	S1-37347185001	PNL,COIL BLOCKOFF REAR,RESPAK	S1-37347185001					1	
2A	149	S1-02530823001	GROMMET,D,SPLIT,0.5 DIAMETER	S1-02530823001	2	2	2	2		2
2A	151	S1-02814787000	GROMMET,1-5/8 INCH	S1-02814787000	1	1	1	1		1
2A	152	S1-02815853000	PLUG,SEAL 7/8 INCH HOLE BLACK	S1-02815853000	2	2	2	2		2
2A	153	S1-02816466000	PLUG,PLASTIC,1-3/32 INCH	S1-02816466000	2	2	2	2		2
2A	154	S1-02817076001	INSERT,DRAIN PAN	S1-02817076001	1	1	1	1		1
2A	155	S1-07339499004	PANEL,COIL BLOCKOFF,FRONT 3R	S1-07339499004	1	1	1			1
2A	155	S1-37347183001	PNL,COIL BLOCKOFF,FRONT 3R,RESPAK	S1-37347183001					1	
2A	156	S1-07339419001	PANEL,HEATER CHUTE	S1-07339419001						1
2A	156	S1-07339419002	PANEL,HEATER CHUTE, TOP	S1-07339419002	1	1	1			
2A	157	S1-07339419003	PANEL,HEATER CHUTE,BOTTOM	S1-07339419003	1	1	1			
2A	1102	S1-07339412001	COVER,HEAT	S1-07339412001	1	1	1	1		1

Section	Callout	Replacement Part #	Description	Original Part #	PCE4B48 42	PCE4B48 44	PCE4B60 41	PCE4B60 42	PCE4B60 44
2A	NS	S1-02647812000	FILTER,AIR,CLEANABLE,ALUM, 10 X 20 X 1	S1-02647812000	3	3	3	3	3
2A	NS	S1-1FF0602	KIT,FILTER FRAME,LFP	S1-1FF0602	1	1	1	1	1
2A	103	S1-37327988001	BASE PAN ASSEM,LARGE	S1-37327988001	1	1	1	1	1
2A	107	S1-07339499003	PANEL,BLOWER DECK,LARGE 10 GAS	S1-07339499003	1		1	1	
2A	107	S1-37347186001	DECK,BLOWER,LG 10,RESPAK	S1-37347186001		1			1
2A	123	S1-37327993002	PANEL ASSEM,MID,LARGE	S1-37327993002	1		1	1	
2A	123	S1-37347177001	PNL,ASSEM,MID PAN,LG,RESPAK	S1-37347177001		1			1
2A	130	S1-37339446001	PANEL ASSEMBLY,COMPRESSOR BARRIER	S1-37339446001	1		1	1	
2A	130	S1-37347178001	PNL,ASSEM,COMPRESSOR BARRIER,RESPAK	S1-37347178001		1			1
2A	137	S1-37327995002	PANEL ASSEM,DUCT COVER,14X16	S1-37327995002	2	2	2	2	2

2A	141	S1-07339388001	PANEL,COIL BLOCKOFF,LARGE	S1- 07339388 001	1	1	1	1	1
2A	143	S1-37339497002	DRAIN PAN ASSEM,RES PAK,LG	S1- 37339497 002	1	1	1	1	1
2A	144	S1-07339386003	BLOCK-OFF,COIL,REAR	S1- 07339386 003	1		1	1	
2A	144	S1-37347185001	PNL,COIL BLOCKOFF REAR,RESPAK	S1- 37347185 001		1			1
2A	149	S1-02530823001	GROMMET,D,SPLIT,0.5 DIAMETER	S1- 02530823 001	2	2	2	2	2
2A	151	S1-02814787000	GROMMET,1-5/8 INCH	S1- 02814787 000	1	1	1	1	1
2A	152	S1-02815853000	PLUG,SEAL 7/8 INCH HOLE BLACK	S1- 02815853 000	2	2	2	2	2
2A	153	S1-02816466000	PLUG,PLASTIC,1-3/32 INCH	S1- 02816466 000	2	2	2	2	2
2A	154	S1-02817076001	INSERT,DRAIN PAN	S1- 02817076 001	1	1	1	1	1
2A	155	S1-07339499004	PANEL,COIL BLOCKOFF,FRONT 3R	S1- 07339499 004	1		1	1	
2A	155	S1-37347182001	PNL,COIL BLOCKOFF,FRONT 4R,RESPAK	S1- 37347182 001					1
2A	155	S1-37347183001	PNL,COIL BLOCKOFF,FRONT 3R,RESPAK	S1- 37347183 001		1			
2A	156	S1-07339419001	PANEL,HEATER CHUTE	S1- 07339419 001	1		1	1	
2A	1102	S1-07339412001	COVER,HEAT	S1- 07339412 001	1	1	1	1	1

Suggested stocking items are shown with shaded item number.



Section : SHEET METAL / CABINET PARTS- BACK

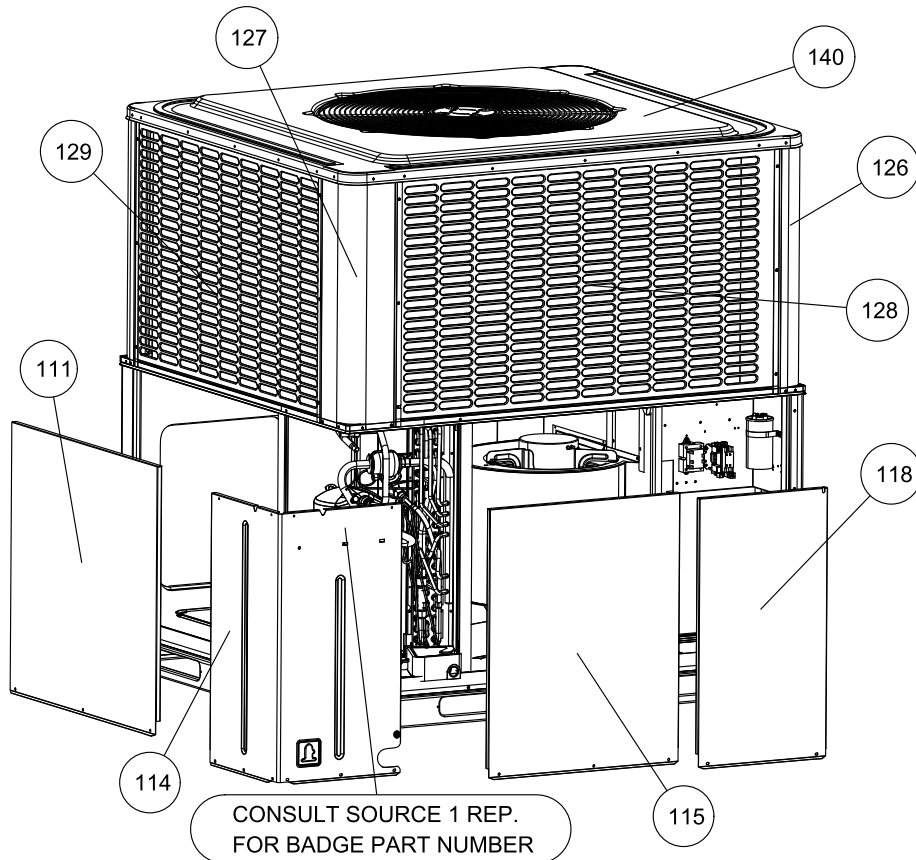
Section	Callout	Replacement Part #	Description	Original Part #	PCE4A36 41	PCE4A36 42	PCE4A36 43	PCE4A36 44	PCE4B48 41
2B	NS	S1-02817062000	MOUNT,COILGUARD,STANDOFF	S1-02817062000			4		
2B	101	S1-07327986001	BASE RAIL,FRONT & REAR	S1-07327986001	2	2	2	2	2
2B	102	S1-07327986002	BASE RAIL,SIDE,LARGE	S1-07327986002					2
2B	102	S1-07327986003	BASE RAIL,SIDE,SMALL	S1-07327986003	2	2	2	2	
2B	108	S1-37327989001	PANEL ASSEM,REAR DUCT,LARGE	S1-37327989001					1
2B	108	S1-37327989002	PANEL ASSEM,REAR DUCT,SMALL	S1-37327989002	1	1	1	1	
2B	119	S1-07339379001	PANEL,ELECTRIC UTILITY	S1-07339379001	1	1	1	1	1
2B	120	S1-37327992001	PANEL ASSEM,HEAT EXCHANGER ACCESS,SMALL	S1-37327992001	1	1	1		
2B	120	S1-37327992002	PANEL ASSEM,HEAT EXCHANGER ACCESS,LARGE	S1-37327992002					1
2B	120	S1-37347174001	PNL,ASSEM,HEAT EXCH ACCESS,SM,RESPAK	S1-37347174001				1	
2B	126	S1-07339377003	POST,CORNER,16 INCH SMALL	S1-07339377003	2	2			
2B	126	S1-07339377006	POST,CORNER,22 INCH SMALL	S1-07339377006					2
2B	126	S1-07346548001	POST,CORNER,RESPAK,16 IN,SMALL,CHAMP	S1-07346548001				2	
2B	126	S1-07339377002	POST,CORNER,14 INCH SMALL	S1-07339377002			2		

2B	127	S1-07339376002	POST,CORNER,14 INCH LARGE	S1-07339376002			2		
2B	127	S1-07339376003	POST,CORNER,16 INCH LARGE	S1-07339376003	2	2			
2B	127	S1-07339376006	POST,CORNER,22 INCH LARGE	S1-07339376006					2
2B	127	S1-07346541001	POST,CORNER,RESPAK,16 IN,LARGE,CHAMP	S1-07346541001				2	
2B	128	S1-07339371002	GUARD,COIL,14 INCH FRONT & REAR	S1-07339371002			2		
2B	128	S1-07339371003	GUARD,COIL,16 INCH FRONT & REAR	S1-07339371003	2	2			
2B	128	S1-07339371006	GUARD,COIL,22 INCH FRONT & REAR	S1-07339371006					2
2B	128	S1-37346527001	GUARD,COIL,RESPAK,16 IN,FRONT&REAR,CHAMP	S1-37346527001				2	
2B	129	S1-07339372006	GUARD,COIL, SIDE,22 INCH LARGE	S1-07339372006					2
2B	129	S1-07339374002	GUARD,COIL, SIDE,14 INCH SMALL	S1-07339374002			2		
2B	129	S1-07339374003	GUARD,COIL, SIDE,16 INCH SMALL	S1-07339374003	2	2			
2B	129	S1-37346534001	GUARD,COIL,RESPAK,16 IN,SMALL SIDE,CHAMP	S1-37346534001				2	
2B	152	S1-02815853000	PLUG,SEAL 7/8 INCH HOLE BLACK	S1-02815853000	2	2	2	2	2
2B	153	S1-02816466000	PLUG,PLASTIC,1-3/32 INCH	S1-02816466000	2	2	2	2	2
2B	170	S1-02814791000	GROMMET,1-3/8 INCH	S1-02814791000	1	1	1	1	1

Section	Callout	Replacement Part #	Description	Original Part #	PCE4B48 42	PCE4B48 44	PCE4B60 41	PCE4B60 42	PCE4B60 44
2B	101	S1-07327986001	BASE RAIL,FRONT & REAR	S1-07327986001	2	2	2	2	2
2B	102	S1-07327986002	BASE RAIL,SIDE,LARGE	S1-07327986002	2	2	2	2	2
2B	108	S1-37327989001	PANEL ASSEM,REAR DUCT,LARGE	S1-37327989001	1	1	1	1	1
2B	119	S1-07339379001	PANEL,ELECTRIC UTILITY	S1-07339379001	1	1	1	1	1
2B	120	S1-37327992002	PANEL ASSEM,HEAT EXCHANGER ACCESS,LARGE	S1-37327992002	1		1	1	
2B	120	S1-37347175001	PNL,ASSEM,HEAT EXCH ACCESS,LG,RESPAK	S1-37347175001		1			1
2B	126	S1-07339377004	POST,CORNER,18 INCH SMALL	S1-07339377004	2				
2B	126	S1-07339377005	POST,CORNER,20 INCH SMALL	S1-07339377005				2	
2B	126	S1-07339377007	POST,CORNER,24 INCH SMALL	S1-07339377007			2		
2B	126	S1-07346548001	POST,CORNER,RESPAK,16 IN,SMALL,CHAMP	S1-07346548001		2			
2B	126	S1-07346549001	POST,CORNER,RESPAK,19 IN,SMALL,CHAMP	S1-07346549001					2
2B	127	S1-07339376004	POST,CORNER,18 INCH LARGE	S1-07339376004	2				
2B	127	S1-07339376005	POST,CORNER,20 INCH LARGE	S1-07339376005				2	

2B	127	S1-07339376007	POST,CORNER,24 INCH LARGE	S1-07339376007			2		
2B	127	S1-07346541001	POST,CORNER,RESPAK,16 IN,LARGE,CHAMP	S1-07346541001		2			
2B	127	S1-07346542001	POST,CORNER,RESPAK,19 IN,LARGE,CHAMP	S1-07346542001					2
2B	128	S1-07339371004	GUARD,COIL,18 INCH FRONT & REAR	S1-07339371004	2				
2B	128	S1-07339371005	GUARD,COIL,20 INCH FRONT & REAR	S1-07339371005				2	
2B	128	S1-07339371007	GUARD,COIL,24 INCH FRONT & REAR	S1-07339371007			2		
2B	128	S1-37346527001	GUARD,COIL,RESPAK,16 IN,FRONT&REAR,CHAMP	S1-37346527001		2			
2B	128	S1-37346528001	GUARD,COIL,RESPAK,19 IN,FRONT&REAR,CHAMP	S1-37346528001					2
2B	129	S1-07339372004	GUARD,COIL, SIDE,18 INCH LARGE	S1-07339372004	2				
2B	129	S1-07339372005	GUARD,COIL, SIDE,20 INCH LARGE	S1-07339372005				2	
2B	129	S1-07339372007	GUARD,COIL, SIDE,24 INCH LARGE	S1-07339372007			2		
2B	129	S1-37346520001	GUARD,COIL,RESPAK,16 IN,LARGE SIDE,CHAMP	S1-37346520001		2			
2B	129	S1-37346521001	GUARD,COIL,RESPAK,19 IN,LARGE SIDE,CHAMP	S1-37346521001					2
2B	152	S1-02815853000	PLUG,SEAL 7/8 INCH HOLE BLACK	S1-02815853000	2	2	2	2	2
2B	153	S1-02816466000	PLUG,PLASTIC,1-3/32 INCH	S1-02816466000	2	2	2	2	2
2B	170	S1-02814791000	GROMMET,1-3/8 INCH	S1-02814791000	1	1	1	1	1

Suggested stocking items are shown with shaded item number.



Section : SHEET METAL / CABINET PARTS- FRONT

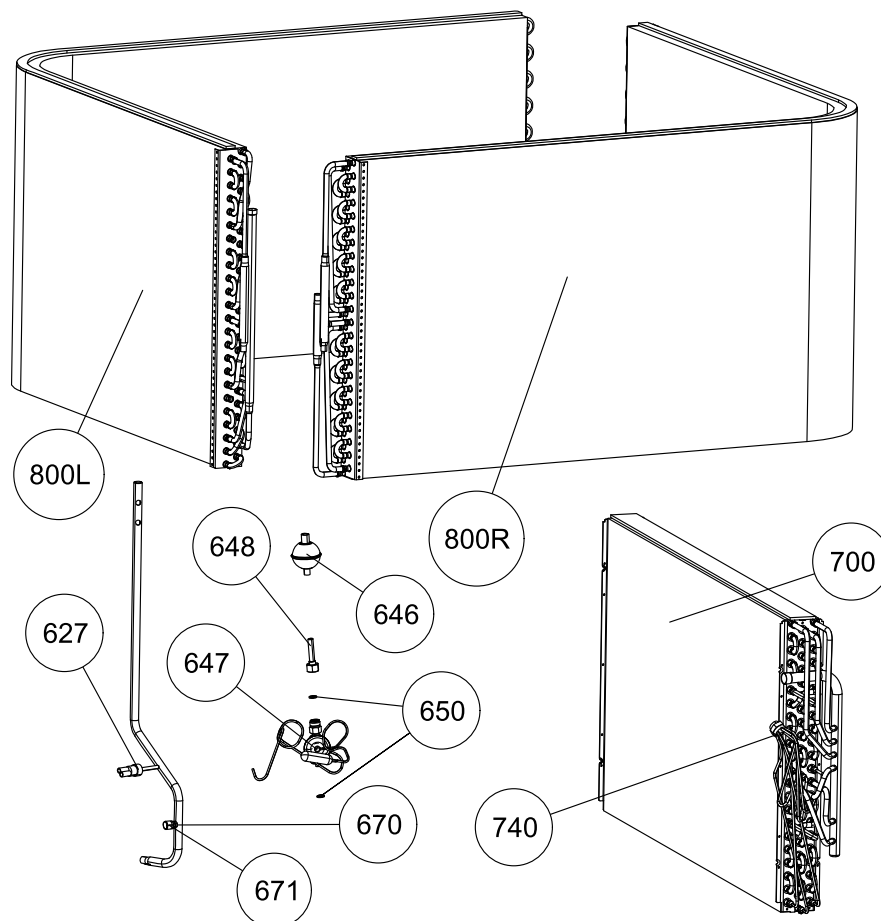
Section	Callout	Replacement Part #	Description	Original Part #	PCE4A36 41	PCE4A36 42	PCE4A36 43	PCE4A36 44	PCE4B48 41
2C	NS	S1-02817062000	MOUNT,COILGUARD,STANDOFF	S1-02817062000			4		
2C	111	S1-37327990001	PANEL ASSEM,COIL & FILTER ACCESS,SMALL	S1-37327990001	1	1	1	1	
2C	111	S1-37327990002	PANEL ASSEM,COIL & FILTER ACCESS,LARGE	S1-37327990002					1
2C	114	S1-07339375001	PANEL,COMPRESSOR ACCESS	S1-07339375001	1	1	1	1	1
2C	115	S1-37339498001	PANEL,ASSEM,BLOWER ACCESS	S1-37339498001	1	1	1		1
2C	115	S1-37347171001	PNL,ASSEM,ACCESS,BLOWER,RESPAK	S1-37347171001				1	
2C	118	S1-07339498002	PANEL,BURNER,CONTROL ACCESS	S1-07339498002	1	1	1	1	1
2C	126	S1-07339377003	POST,CORNER,16 INCH SMALL	S1-07339377003	2	2			
2C	126	S1-07339377006	POST,CORNER,22 INCH SMALL	S1-07339377006					2
2C	126	S1-07346548001	POST,CORNER,RESPAK,16 IN,SMALL,CHAMP	S1-07346548001				2	
2C	126	S1-07339377002	POST,CORNER,14 INCH SMALL	S1-07339377002			2		
2C	127	S1-07339376002	POST,CORNER,14 INCH LARGE	S1-07339376002			2		
2C	127	S1-07339376003	POST,CORNER,16 INCH LARGE	S1-07339376003	2	2			
2C	127	S1-07339376006	POST,CORNER,22 INCH LARGE	S1-07339376006					2

2C	127	S1-07346541001	POST,CORNER,RESPAK,16 IN,LARGE,CHAMP	S1-07346541001					2	
2C	128	S1-07339371002	GUARD,COIL,14 INCH FRONT & REAR	S1-07339371002				2		
2C	128	S1-07339371003	GUARD,COIL,16 INCH FRONT & REAR	S1-07339371003	2	2				
2C	128	S1-07339371006	GUARD,COIL,22 INCH FRONT & REAR	S1-07339371006						2
2C	128	S1-37346527001	GUARD,COIL,RESPAK,16 IN,FRONT&REAR,CHAMP	S1-37346527001					2	
2C	129	S1-07339372006	GUARD,COIL, SIDE,22 INCH LARGE	S1-07339372006						2
2C	129	S1-07339374002	GUARD,COIL, SIDE,14 INCH SMALL	S1-07339374002				2		
2C	129	S1-07339374003	GUARD,COIL, SIDE,16 INCH SMALL	S1-07339374003	2	2				
2C	129	S1-37346534001	GUARD,COIL,RESPAK,16 IN,SMALL SIDE,CHAMP	S1-37346534001					2	
2C	140	S1-07339378001	PANEL, TOP, LARGE	S1-07339378001						1
2C	140	S1-07339378002	PANEL, TOP, SMALL	S1-07339378002	1	1	1	1	1	

Section	Callout	Replacement Part #	Description	Original Part #	PCE4B48 42	PCE4B48 44	PCE4B60 41	PCE4B60 42	PCE4B60 44
2C	111	S1-37327990002	PANEL,ASSEM,COIL & FILTER ACCESS,LARGE	S1-37327990002	1	1	1	1	1
2C	114	S1-07339375001	PANEL,COMPRESSOR ACCESS	S1-07339375001	1	1	1	1	1
2C	115	S1-37339498001	PANEL,ASSEM,BLOWER ACCESS	S1-37339498001	1		1	1	
2C	115	S1-37347171001	PNL,ASSEM,ACCESS,BLOWER,RESPAK	S1-37347171001		1			1
2C	118	S1-07339498002	PANEL,BURNER,CONTROL ACCESS	S1-07339498002	1	1	1	1	1
2C	126	S1-07339377004	POST,CORNER,18 INCH SMALL	S1-07339377004	2				
2C	126	S1-07339377005	POST,CORNER,20 INCH SMALL	S1-07339377005				2	
2C	126	S1-07339377007	POST,CORNER,24 INCH SMALL	S1-07339377007			2		
2C	126	S1-07346548001	POST,CORNER,RESPAK,16 IN,SMALL,CHAMP	S1-07346548001		2			
2C	126	S1-07346549001	POST,CORNER,RESPAK,19 IN,SMALL,CHAMP	S1-07346549001					2
2C	127	S1-07339376004	POST,CORNER,18 INCH LARGE	S1-07339376004	2				
2C	127	S1-07339376005	POST,CORNER,20 INCH LARGE	S1-07339376005				2	
2C	127	S1-07339376007	POST,CORNER,24 INCH LARGE	S1-07339376007			2		
2C	127	S1-07346541001	POST,CORNER,RESPAK,16 IN,LARGE,CHAMP	S1-07346541001		2			
2C	127	S1-07346542001	POST,CORNER,RESPAK,19 IN,LARGE,CHAMP	S1-07346542001					2
2C	128	S1-07339371004	GUARD,COIL,18 INCH FRONT & REAR	S1-07339371004	2				
2C	128	S1-07339371005	GUARD,COIL,20 INCH FRONT & REAR	S1-07339371005				2	

2C	128	S1-07339371007	GUARD,COIL,24 INCH FRONT & REAR	S1-07339371007			2		
2C	128	S1-37346527001	GUARD,COIL,RESPAK,16 IN,FRONT&REAR,CHAMP	S1-37346527001		2			
2C	128	S1-37346528001	GUARD,COIL,RESPAK,19 IN,FRONT&REAR,CHAMP	S1-37346528001					2
2C	129	S1-07339372004	GUARD,COIL, SIDE,18 INCH LARGE	S1-07339372004	2				
2C	129	S1-07339372005	GUARD,COIL, SIDE,20 INCH LARGE	S1-07339372005				2	
2C	129	S1-07339372007	GUARD,COIL, SIDE,24 INCH LARGE	S1-07339372007			2		
2C	129	S1-37346520001	GUARD,COIL,RESPAK,16 IN,LARGE SIDE,CHAMP	S1-37346520001		2			
2C	129	S1-37346521001	GUARD,COIL,RESPAK,19 IN,LARGE SIDE,CHAMP	S1-37346521001					2
2C	140	S1-07339378001	PANEL, TOP, LARGE	S1-07339378001	1	1	1	1	1

Suggested stocking items are shown with shaded item number.



Section : REFRIGERATION SYSTEM

Section	Callout	Replacement Part #	Description	Original Part #	PCE4A36 41	PCE4A36 42	PCE4A36 43	PCE4A36 44	PCE4B48 41
3	NS	S1-02817125000	DAMPENER,RUBBER,DISCHARGE LINE	S1-02817125000		2			
3	627	S1-5992707	CNTRL,PRES,REFRIG,650/450(O/C)BRAZE,PSIG	S1-02545253000	1	1	1		1
3	627	S1-02552057000	SWITCH,PRES,REFRIG,650/450(O/C),PSIG	S1-02552057000				1	
3	646	S1-400437	FILTER-DRIER,LIQUID 1/2 ODF,21 SQ IN	S1-400437	1	1	1	1	1
3	647	S1-02212970000	VLV,TXV,CHAT,CHAT,84.5 PSIG,SPORLAN	S1-02212970000					1
3	647	S1-02527177000	TXV,R-410A,CHATLEFF CONN	S1-02527177000	1				
3	647	S1-02551462000	VLV,TXV,CHAT X CHAT ODF,83.4 PSIG,PARKER	S1-02551462000		1			
3	647	S1-02551754000	VLV,TXV,CHAT X CHAT,87.4 PSIG,PARKER	S1-02551754000			1		
3	647	S1-02552063000	VLV,TXV,CHAT X CHAT,92.3 PSIG,SPORLAN	S1-02552063000				1	
3	648	S1-02212972000	STUB,INLET	S1-02212972000	1	1	1		1
3	650	S1-02131419000	WASHER,TXV	S1-02131419000	2	2	2	1	2
3	670	S1-02202475700	CORE,VLV,V PORT (M10)	S1-02202475700	2	2	2	2	2
3	671	S1-02310745000	CAP,SEAL,KNURLED 7/1	S1-02310745000	2	2	2	2	2
3	700	S1-37339393002	COIL,EVAP,BRAZED ASSEM,3R,30L,16FPI	S1-37339393002	1				

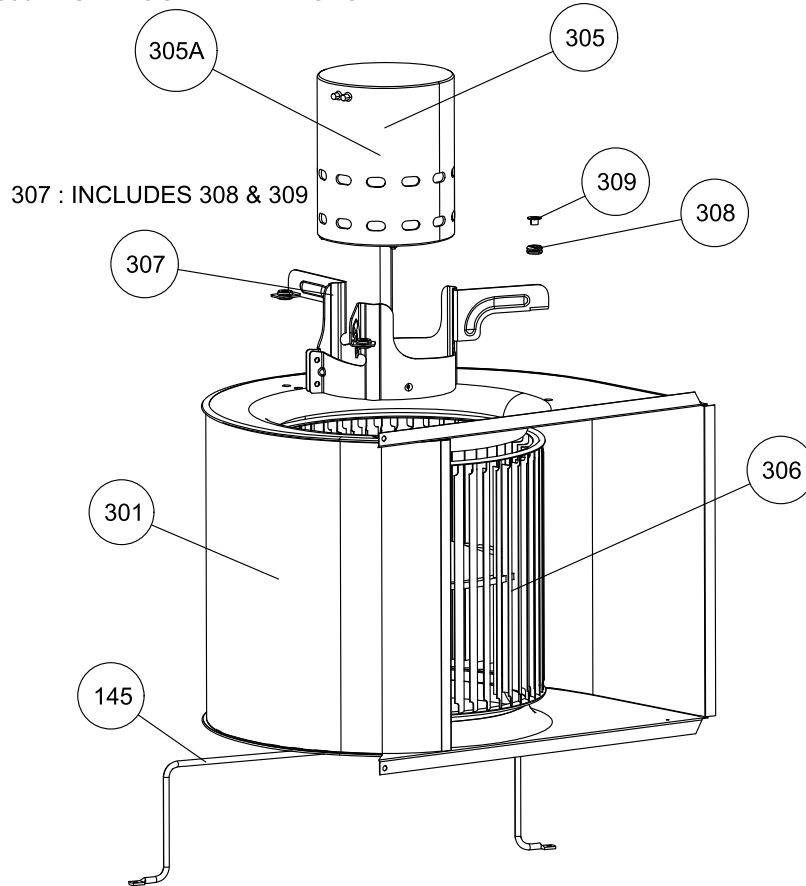
3	700	S1-37339393003	COIL, EVAP, BRAZED ASSEM, 3R, 41L, 16FPI	S1-37339393003					1
3	700	S1-37339448001	COIL, EVAP, 3R, 30	S1-37339448001		1	1		
3	700	S1-37347158001	COIL, ASSEM, EVAP, W/DIST, 3R, 29.9 IN, 16 FPI	S1-37347158001				1	
3	740	S1-02212974000	DISTR, 6 CIRCUIT	S1-02212974000	1	1	1		1
3	800L	S1-37339381001	COIL ASSEM, OUTDOOR, 2R, 16 INCH, LH	S1-37339381001	1	1			
3	800L	S1-37339381003	COIL ASSEM, OUTDOOR, 2R, 22 INCH, LH	S1-37339381003					1
3	800L	S1-37347165001	COIL, ASSEM, OUTDOOR, 2R, 16.0 IN, 22 FPI, LH	S1-37347165001				1	
3	800R	S1-37339381006	COIL ASSEM, OUTDOOR, 2R, 16 INCH, RH	S1-37339381006	1	1			
3	800R	S1-37339381008	COIL ASSEM, OUTDOOR, 2R, 22 INCH, RH	S1-37339381008					1
3	800R	S1-37347166001	COIL, ASSEM, OUTDOOR, 2R, 16.0 IN, 22 FPI, RH	S1-37347166001				1	

Section	Callout	Replacement Part #	Description	Original Part #	PCE4B48 42	PCE4B48 44	PCE4B60 41	PCE4B60 42	PCE4B60 44
3	627	S1-5992707	CNTRL, PRES, REFRIG, 650/450(O/C)BRAZE, PSIG	S1-02545253000	1		1	1	
3	627	S1-02552057000	SWITCH, PRES, REFRIG, 650/450(O/C), PSIG	S1-02552057000		1			1
3	646	S1-400437	FILTER-DRIER, LIQUID 1/2 ODF, 21 SQ IN	S1-400437	1	1	1	1	1
3	647	S1-02212971000	VLV, TXV, CHAT, CHAT, 90.0 PSIG, SPORLAN	S1-02212971000			1		
3	647	S1-02551472000	VLV, TXV, CHAT X CHAT ODF, 89.9 PSIG, PARKER	S1-02551472000	1			1	
3	647	S1-02552065000	VLV, TXV, CHAT X CHAT, 83.7 PSIG, SPORLAN	S1-02552065000		1			
3	647	S1-02552066000	VLV, TXV, CHAT X CHAT, 97.0 PSIG, SPORLAN	S1-02552066000					1
3	648	S1-02212972000	STUB, INLET	S1-02212972000	1		1	1	
3	650	S1-02131419000	WASHER, TXV	S1-02131419000	2	1	2	2	1
3	670	S1-02202475700	CORE, VLV, V PORT (M10)	S1-02202475700	2	2	2	2	2
3	671	S1-02310745000	CAP, SEAL, KNURLED 7/1	S1-02310745000	2	2	2	2	2
3	700	S1-37339393003	COIL, EVAP, BRAZED ASSEM, 3R, 41L, 16FPI	S1-37339393003			1		
3	700	S1-37339448002	COIL, EVAP, 3R, 41L	S1-37339448002	1			1	
3	700	S1-37347159001	COIL, ASSEM, EVAP, W/DIST, 3R, 40.9 IN, 16 FPI	S1-37347159001		1			
3	700	S1-37347160001	COIL, ASSEM, EVAP, W/DIST, 4R, 40.9 IN, 16 FPI	S1-37347160001					1
3	740	S1-02212974000	DISTR, 6 CIRCUIT	S1-02212974000	1		1	1	
3	800L	S1-37339381005	COIL ASSEM, OUTDOOR, 2R, 24 INCH, LH	S1-37339381005			1		
3	800L	S1-37339449001	COIL, OUTDOOR, 2R, 18 INCH, 22FPI, LH	S1-37339449001	1				

3	800L	S1-37347167001	COIL,ASSEM,OUTDOOR,2R,16.0 IN,22 FPI,LH	S1-37347167001		1			
3	800L	S1-37347169001	COIL,ASSEM,OUTDOOR,2R,19.2 IN,22 FPI,LH	S1-37347169001					1
3	800R	S1-37339381010	COIL ASSEM,OUTDOOR,2R,24 INCH,RH	S1-37339381010			1		
3	800R	S1-37339449002	COIL,OUTDOOR,2R,18 INCH,22FPI,RH	S1-37339449002	1				
3	800R	S1-37347168001	COIL,ASSEM,OUTDOOR,2R,16.0 IN,22 FPI,RH	S1-37347168001		1			
3	800R	S1-37347170001	COIL,ASSEM,OUTDOOR,2R,19.2 IN,22 FPI,RH	S1-37347170001					1

Suggested stocking items are shown with shaded item number.

305A : UNPROGRAMMED MOTOR 305 : PROGRAMMED MOTOR



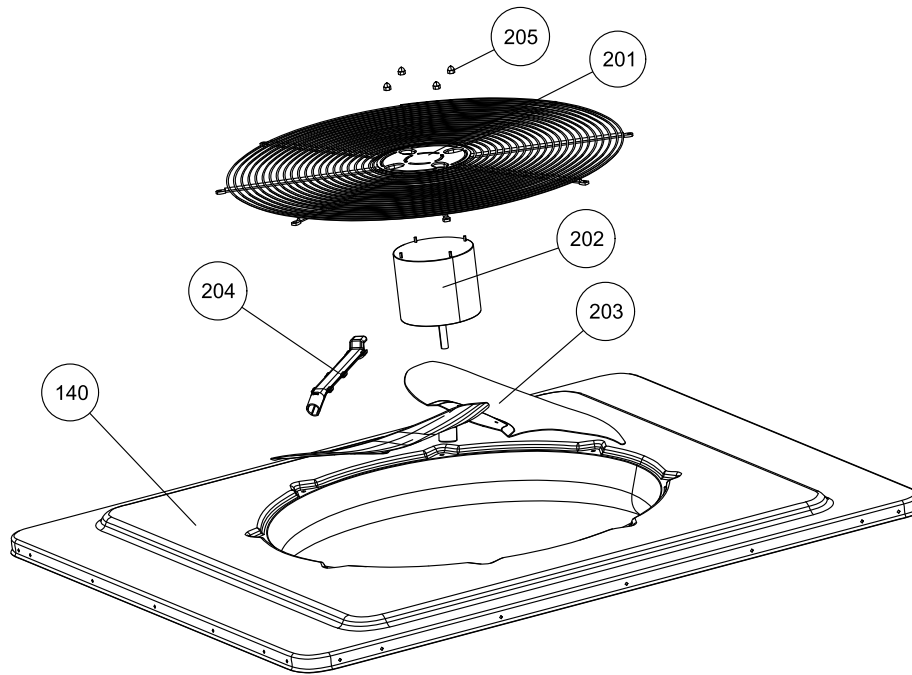
Section : INDOOR BLOWER PARTS

Section	Callout	Replacement Part #	Description	Original Part #	PCE4A36 41	PCE4A36 42	PCE4A36 43	PCE4A36 44	PCE4B48 41
4	145	S1-02647774000	SUPPORT,BLOWER,10 INCH HOUSING	S1-02647774000	1	1	1	1	1
4	301	S1-37327996002	HOUSING,BLOWER,11-10	S1-37327996002	1	1	1		1
4	301	S1-37347155001	HOUSING,BLOWER,11-10	S1-37347155001				1	
4	305	S1-32436316006	MTR,BLW,PRGRM,1/2,460V,ECM,BROAD OCEAN	S1-32436316006				1	
4	305	S1-32436316540	MTR,BLW,PRGRM,1/2,460V,ECM,BROAD OCEAN	S1-32436316540	1	1	1		
4	305	S1-32436317541	MTR,BLW,PRGRM,1.0,460V,ECM,BROAD OCEAN	S1-32436317541					1
4	305A	S1-02436316000	MTR,BLW,UNPRGRM,1/2,460V,ECM,BROAD OCEAN	S1-02436316000	1	1	1	1	
4	305A	S1-02436317000	MTR,BLW,UNPRGRM,1.0,460V,ECM,BROAD OCEAN	S1-02436317000					1
4	306	S1-02647767000	WHL,BLW,11 X 10,CCW,1/2 INCH BORE	S1-02647767000	1	1	1	1	1
4	307	S1-37319831002	MOUNT,MOTOR KIT	S1-37319831002	1	1	1	1	1
4	308	S1-02814740000	GROMMET,NEOPRENE,5/8D X 0.281 MTG	S1-02814740000	3	3	3	3	3
4	309	S1-02320541000	FERRULE	S1-02320541000	3	3	3	3	3

Section	Callout	Replacement Part #	Description	Original Part #	PCE4B48 42	PCE4B48 44	PCE4B60 41	PCE4B60 42	PCE4B60 44
---------	---------	--------------------	-------------	-----------------	------------	------------	------------	------------	------------

4	145	S1-02647774000	SUPPORT,BLOWER,10 INCH HOUSING	S1-02647774000	1	1	1	1	1
4	301	S1-37327996002	HOUSING,BLOWER,11-10	S1-37327996002	1		1	1	
4	301	S1-37347155001	HOUSING,BLOWER,11-10	S1-37347155001		1			1
4	305	S1-32436317010	MTR,BLW,PRGRM,1.0,460V,ECM,BROAD OCEAN	S1-32436317010		1			
4	305	S1-32436317011	MTR,BLW,PRGRM,1.0,460V,ECM,BROAD OCEAN	S1-32436317011					1
4	305	S1-32436317541	MTR,BLW,PRGRM,1.0,460V,ECM,BROAD OCEAN	S1-32436317541	1				
4	305	S1-32436317542	MTR,BLW,PRGRM,1.0,460V,ECM,BROAD OCEAN	S1-32436317542			1	1	
4	305A	S1-02436317000	MTR,BLW,UNPRGRM,1.0,460V,ECM,BROAD OCEAN	S1-02436317000	1	1	1	1	1
4	306	S1-02647767000	WHL,BLW,11 X 10,CCW,1/2 INCH BORE	S1-02647767000	1	1	1	1	1
4	307	S1-37319831002	MOUNT,MOTOR KIT	S1-37319831002	1	1	1	1	1
4	308	S1-02814740000	GROMMET,NEOPRENE,5/8D X 0.281 MTG	S1-02814740000	3	3	3	3	3
4	309	S1-02320541000	FERRULE	S1-02320541000	3	3	3	3	3

Suggested stocking items are shown with shaded item number.


Section : ROOF ASSEM / OUTDOOR FAN AND MOTOR PARTS

Section	Callout	Replacement Part #	Description	Original Part #	PCE4A36 41	PCE4A36 42	PCE4A36 43	PCE4A36 44	PCE4B48 41
6	140	S1-07339378001	PANEL, TOP, LARGE	S1-07339378001					1
6	140	S1-07339378002	PANEL, TOP, SMALL	S1-07339378002	1	1	1	1	
6	201	S1-02647770000	GUARD, FAN, BLACK, 24 INCH (C)	S1-02647770000	1	1	1	1	
6	201	S1-02647771000	GUARD, FAN, BLACK, 26 INCH (D)	S1-02647771000					1
6	202	S1-02436314000	MTR, COND, 1/4, 460V, 835/1, CW	S1-02436314000	1	1	1		
6	202	S1-02436315000	MTR, COND, 1/3, 460V, 841/1, CW	S1-02436315000					1
6	203	S1-02642434000	FAN, PROP, 24, CW, 3-28, 1/2 INCH BORE (TEXT)	S1-02642434000	1	1	1	1	
6	203	S1-02647782000	FAN, PROP, 26 INCH, CW, 2-32, 1/2 INCH BORE	S1-02647782000					1
6	204	S1-02818869000	WIREWAY, C CABINET	S1-02816469000	1	1	1		
6	204	S1-02818870000	WIREWAY, D CABINET	S1-02816470000					1
6	204	S1-02818869000	WIREWAY, C CABINET	S1-02818869000				1	
6	205	S1-36390117700	NUT, ACORN KIT #8-32 UNC	S1-36390117700	4	4	4	4	4

Section	Callout	Replacement Part #	Description	Original Part #	PCE4B48 42	PCE4B48 44	PCE4B60 41	PCE4B60 42	PCE4B60 44
---------	---------	--------------------	-------------	-----------------	------------	------------	------------	------------	------------

6	140	S1-07339378001	PANEL, TOP, LARGE	S1-07339378001	1	1	1	1	1
6	201	S1-02647771000	GUARD, FAN, BLACK, 26 INCH (D)	S1-02647771000	1	1	1	1	1
6	202	S1-02436315000	MTR, COND, 1/3, 460V, 841/1, CW	S1-02436315000	1		1	1	
6	203	S1-02647782000	FAN, PROP, 26 INCH, CW, 2-32, 1/2 INCH BORE	S1-02647782000	1	1	1	1	1
6	204	S1-02818870000	WIREWAY, D CABINET	S1-02816470000	1		1	1	
6	204	S1-02818870000	WIREWAY, D CABINET	S1-02818870000		1			1
6	205	S1-36390117700	NUT, ACORN KIT #8-32 UNC	S1-36390117700	4	4	4	4	4

Suggested stocking items are shown with shaded item number.

Section : MISCELLANEOUS

Section	Callout	Replacement Part #	Description	Original Part #	PCE4A36 41	PCE4A36 42	PCE4A36 43	PCE4A36 44	PCE4B48 41
8	NS	S1-02647812000	FILTER,AIR,CLEANABLE,ALUM,10 X 20 X 1	S1-02647812000	2	2	2	2	3
8	NS	S1-1FF0601	KIT,FILTER FRAME,SFP	S1-1FF0601	1	1	1	1	
8	NS	S1-1FF0602	KIT,FILTER FRAME,LFP	S1-1FF0602					1
8	NS	6059295	Screw Shoulder Hex-w 5/16 UNF L=1-1/2in	6059295				4	
8	NS	S1-02134584000	SCREW,HEX,10-16,5/8 LG,BLK,PVCSEAL(M100)	S1-02134584000	190	190	8	190	190
8	NS	S1-02442194000	MTR,COND,1/3,841/1,CWLE,460-1-60	S1-02442194000				1	
8	NS	S1-02527642000	CABLE STRAP,BLACK	S1-02509607000	2	2	10	2	2
8	NS	S1-02817061001	GASKET,FOAM,5/8 X 1/8 INCH,100 FOOT ROLL	S1-02817061001	5	5			5
8	NS	S1-07339375001	PANEL,COMPRESSOR ACCESS	S1-07339375001	1	1	1	1	1
8	NS	S1-07339417001	PANEL,CONTROL,ELECTRIC	S1-07339417001				1	
8	NS	S1-37339587000	COIL,COND,FORM,MC,16MMX14,LH	S1-37339587000			1		
8	NS	S1-37339588000	COIL,COND,FORM,MC,16MMX14,RH	S1-37339588000			1		

Section	Callout	Replacement Part #	Description	Original Part #	PCE4B48 42	PCE4B48 44	PCE4B60 41	PCE4B60 42	PCE4B60 44
8	NS	S1-02647812000	FILTER,AIR,CLEANABLE,ALUM,10 X 20 X 1	S1-02647812000	3	3	3	3	3
8	NS	S1-1FF0602	KIT,FILTER FRAME,LFP	S1-1FF0602	1	1	1	1	1
8	NS	6059295	Screw Shoulder Hex-w 5/16 UNF L=1-1/2in	6059295		4			4
8	NS	S1-02134584000	SCREW,HEX,10-16,5/8 LG,BLK,PVCSEAL(M100)	S1-02134584000	190	196	190	190	204
8	NS	S1-02442194000	MTR,COND,1/3,841/1,CWLE,460-1-60	S1-02442194000		1			1
8	NS	S1-02527642000	CABLE STRAP,BLACK	S1-02509607000	10	2	2	10	2
8	NS	S1-02817061001	GASKET,FOAM,5/8 X 1/8 INCH,100 FOOT ROLL	S1-02817061001			5		
8	NS	S1-07339375001	PANEL,COMPRESSOR ACCESS	S1-07339375001	1	1	1	1	1
8	NS	S1-07339417001	PANEL,CONTROL,ELECTRIC	S1-07339417001		1			1
8	NS	S1-37339581001	COIL ASSEM,OUTDOOR,2R,20 INCH,22 FPI, LH	S1-37339581001				1	
8	NS	S1-37339582001	COIL ASSEM,OUTDOOR,2R,20 INCH,22 FPI, RH	S1-37339582001				1	

Suggested stocking items are shown with shaded item number.

Section : WIRING DIAGRAM / VFD PARAMETER

Section	Callout	Replacement Part #	Description	Original Part #	PCE4A36 41	PCE4A36 42	PCE4A36 43	PCE4A36 44	PCE4B48 41
9	NS	5158116	WIRING DIAGRAM - AC/ELEC 3PH 460V RESPAK	5158116	1	1	1	1	1

Section	Callout	Replacement Part #	Description	Original Part #	PCE4B48 42	PCE4B48 44	PCE4B60 41	PCE4B60 42	PCE4B60 44
9	NS	5158116	WIRING DIAGRAM - AC/ELEC 3PH 460V RESPAK	5158116	1	1	1	1	1

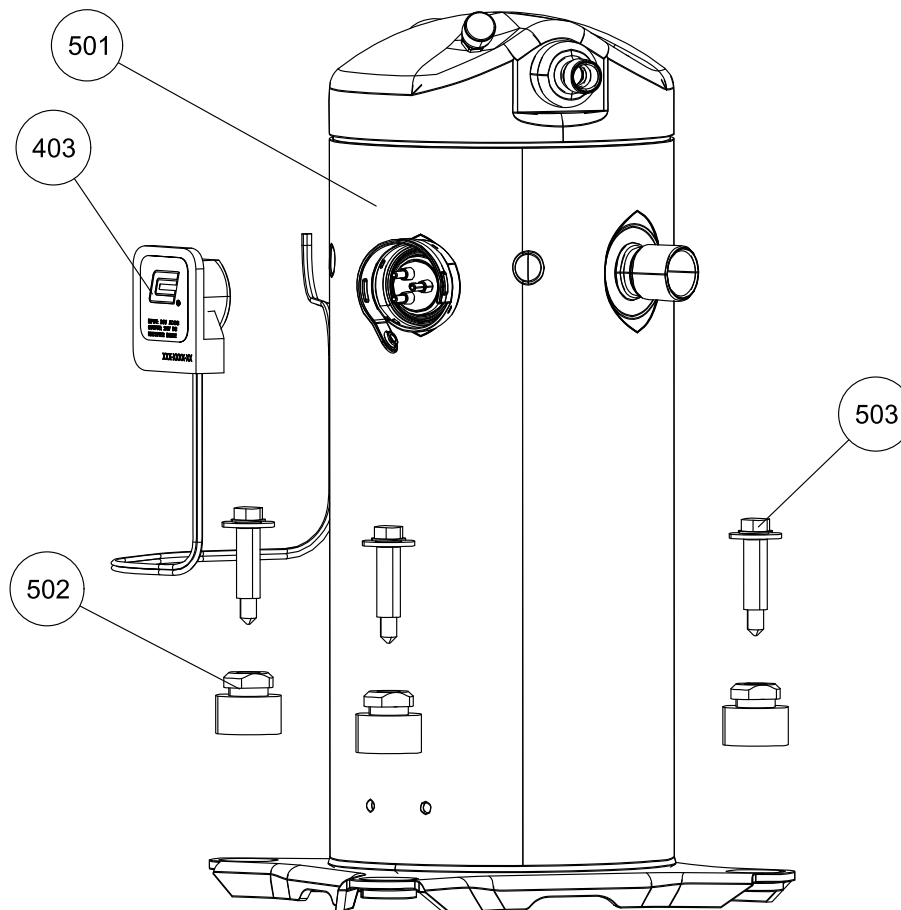
Suggested stocking items are shown with shaded item number.

Section : HARNESES

Section	Callout	Replacement Part #	Description	Original Part #	PCE4A36 41	PCE4A36 42	PCE4A36 43	PCE4A36 44	PCE4B48 41
10	NS	S1-02527140000	HARNESS,COMPRESSOR,BRIS TOL,460V	S1-02527140000	1				
10	NS	S1-02547313000	HARNESS,COMPRESSOR,COPELAND 3 PHASE	S1-02547313000		1	1		1
10	NS	S1-02552059000	HARNESS,COMPRESSOR,LG,3 PH	S1-02552059000				1	
10	NS	S1-02547291000	HARNESS,MAIN WIRING,PCE,COPELAND	S1-02547291000	1	1	1	1	1

Section	Callout	Replacement Part #	Description	Original Part #	PCE4B48 42	PCE4B48 44	PCE4B60 41	PCE4B60 42	PCE4B60 44
10	NS	S1-02547313000	HARNESS,COMPRESSOR,COPELAND 3 PHASE	S1-02547313000	1		1	1	
10	NS	S1-02552059000	HARNESS,COMPRESSOR,LG,3 PH	S1-02552059000		1			1
10	NS	S1-02547291000	HARNESS,MAIN WIRING,PCE,COPELAND	S1-02547291000	1	1	1	1	1

Suggested stocking items are shown with shaded item number.



Section : COMPRESSOR

Section	Callout	Replacement Part #	Description	Original Part #	PCE4A36 41	PCE4A36 42	PCE4A36 43	PCE4A36 44	PCE4B48 41
12	403	S1-02527140000	HARNESS,COMPRESSOR,BRIS TOL,460V	S1-02527140000	1				
12	403	S1-02547313000	HARNESS,COMPRESSOR,COP ELAND 3 PHASE	S1-02547313000		1	1		1
12	403	S1-02552059000	HARNESS,COMPRESSOR,LG,3 PH	S1-02552059000				1	
12	501	S1-01503944004	COMPR,ZP42K5E-TFD-830	S1-01503944004					1
12	501	S1-01505440004	COMPR,SCROLL,29KBTU,460-3,R-410A	S1-01504294004		1	1		
12	501	S1-01504835007	COMPR,H84B293DBVA	S1-01504835007	1				
12	501	S1-01505259004	COMPR,SCROLL,460-3-60,R-410A,POE	S1-01505259004				1	
12	502	S1-02809519000	ISOLATOR,COMPRESSOR	S1-02809519000	4	4	4	4	4
12	503	5833603	Screw Shoulder Hex-w 5/16 UNF L=1-1/2in	5833603			4		
12	503	S1-02117116000	SCREW,5/16-18X1-3/4,HEX HD,W/SLEEVE	S1-02117116000	4	4			4

Section	Callout	Replacement Part #	Description	Original Part #	PCE4B48 42	PCE4B48 44	PCE4B60 41	PCE4B60 42	PCE4B60 44
12	403	S1-02547313000	HARNESS,COMPRESSOR,COP ELAND 3 PHASE	S1-02547313000	1		1	1	
12	403	S1-02552059000	HARNESS,COMPRESSOR,LG,3 PH	S1-02552059000		1			1

12	501	S1-01503944004	COMPR,ZP42K5E-TFD-830	S1-01503944004	1				
12	501	S1-01504621004	COMPR,ZP51K6E-TFD-830	S1-01504621004			1	1	
12	501	S1-01505180004	COMPR,SCROLL,460-3-60,POE	S1-01505180004					1
12	501	S1-01505255004	COMPR,SCROLL,460-3-60,R-410A,POE	S1-01505255004		1			
12	502	S1-02809519000	ISOLATOR,COMPRESSOR	S1-02809519000	4	4	4	4	4
12	503	5833603	Screw Shoulder Hex-w 5/16 UNF L=1-1/2in	5833603				4	
12	503	S1-02117116000	SCREW,5/16-18X1-3/4,HEX HD,W/SLEEVE	S1-02117116000	4		4		

Suggested stocking items are shown with shaded item number.

Model series repair parts lists are generated for each model number from the last production bill of material.

Major components and suggested stocking items are shown with shaded item number.

Repair parts lists are subject to change without notice.

TO ORDER AUTHORIZED FACTORY REPLACEMENT PARTS - Contact your Source1 HVAC Parts Distributor or visit our website at www.Source1Parts.com for a Distributor and Dealer listing.

Copyright © 2025 by Johnson Controls Inc. All rights reserved.

Johnson Controls Unitary Products